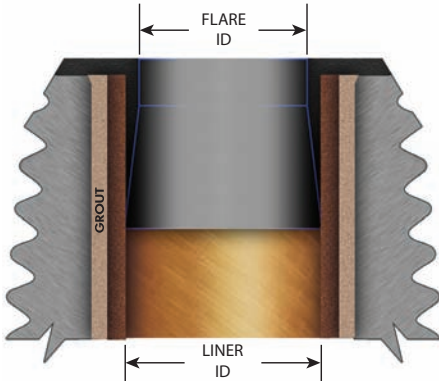
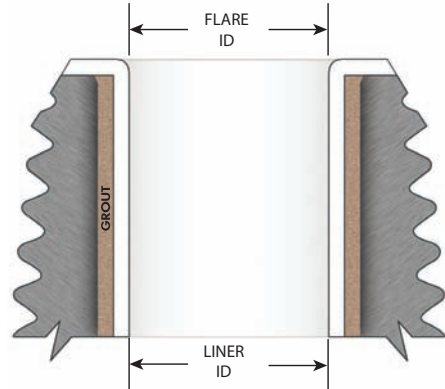


Specifications



DUOLINE 20



DUOLINE 10

Dimensions, Weights and Capacities

DUOLINE 20, Fiberglass Epoxy Liner

Tubing Size, EUE 8-rd	Tubing Weight, Nominal	Tubing Weight, with DUOLINE	Liner Diameter	Flare Diameter	Drift Diameter	Tubing Fill
60.3 mm 2-3/8 inch	6.99 kg/m 4.7 lb/ft	7.74 kg/m 5.2 lb/ft	45.97 mm 1.810 inch	44.45 mm 1.750 inch	38.10 mm 1.500 inch	0.166 m ³ /100 m 3.183 bbl/1000 ft
73.0 mm 2-7/8 inch	9.67 kg/m 6.5 lb/ft	10.41 kg/m 7.0 lb/ft	57.18 mm 2.251 inch	55.75 mm 2.195 inch	49.40 mm 1.945 inch	0.257 m ³ /100 m 4.93 bbl/1000 ft
88.9 mm 3-1/2 inch	13.84 kg/m 9.3 lb/ft	15.03 kg/m 10.1 lb/ft	69.85 mm 2.750 inch	67.82 mm 2.670 inch	61.47 mm 2.420 inch	0.383 m ³ /100m 7.34bbl/1000 ft
114.3 mm 4-1/2 inch	17.26 kg/m 11.6 lb/ft	19.50 kg/m 13.1 lb/ft	93.75 mm 3.691 inch	91.44 mm 3.600 inch	85.09 mm 3.350 inch	0.69 m ³ /100 m 13.23 bbl/1000 ft
139.7 mm 5-1/2 inch	25.30 kg/m 17.00 lb/ft	27.98 kg/m 18.8 lb/ft	114.81 mm 4.520 inch	111.76 mm 4.400 inch	105.41 mm 4.15 inch	1.035 m ³ /100 m 19.84 bbl/1000 ft
177.8 mm 7.0 inch	38.69 kg/m 26.00 lb/ft	42.41 kg/m 28.5 lb/ft	149.86 mm 5.900 inch	146.94 mm 5.785 inch	140.59 mm 5.535 inch	1.751 m ³ /100 m 33.58 bbl/1000 ft

Other Sizes Available

DUOLINE 10, PVC Liner

Tubing Size, EUE 8-rd	Tubing Weight, Nominal	Tubing Weight, with DUOLINE	Liner Diameter	Flare Diameter	Drift Diameter	Tubing Fill
60.3 mm 2-3/8 inch	6.99 kg/m 4.7 lb/ft	7.74 kg/m 5.2 lb/ft	45.21 mm 1.780 inch	45.21 mm 1.780 inch	41.91 mm 1.65 inch	0.162m ³ /100 m 3.078 bbl/1000 ft
73.0 mm 2-7/8 inch	9.67 kg/m 6.5 lb/ft	10.41 kg/m 7.0 lb/ft	55.37 mm 2.180 inch	55.37 mm 2.180 inch	52.07 mm 2.055 inch	0.241 m ³ /100 m 4.71 bbl/1000 ft
88.9 mm 3-1/2 inch	13.84 kg/m 9.3 lb/ft	15.03 kg/m 10.1 lb/ft	68.58 mm 2.700 inch	68.58 mm 2.700 inch	64.77 mm 2.550 inch	0.369 m ³ /100 m 7.076 bbl/1000 ft

Technical Support

Backed by field case histories and laboratory testing results, Duoline technical staff can assist in picking the right liner for your application. Technical service technicians are available to provide optimal installation of Duoline Products.